

# Technical data

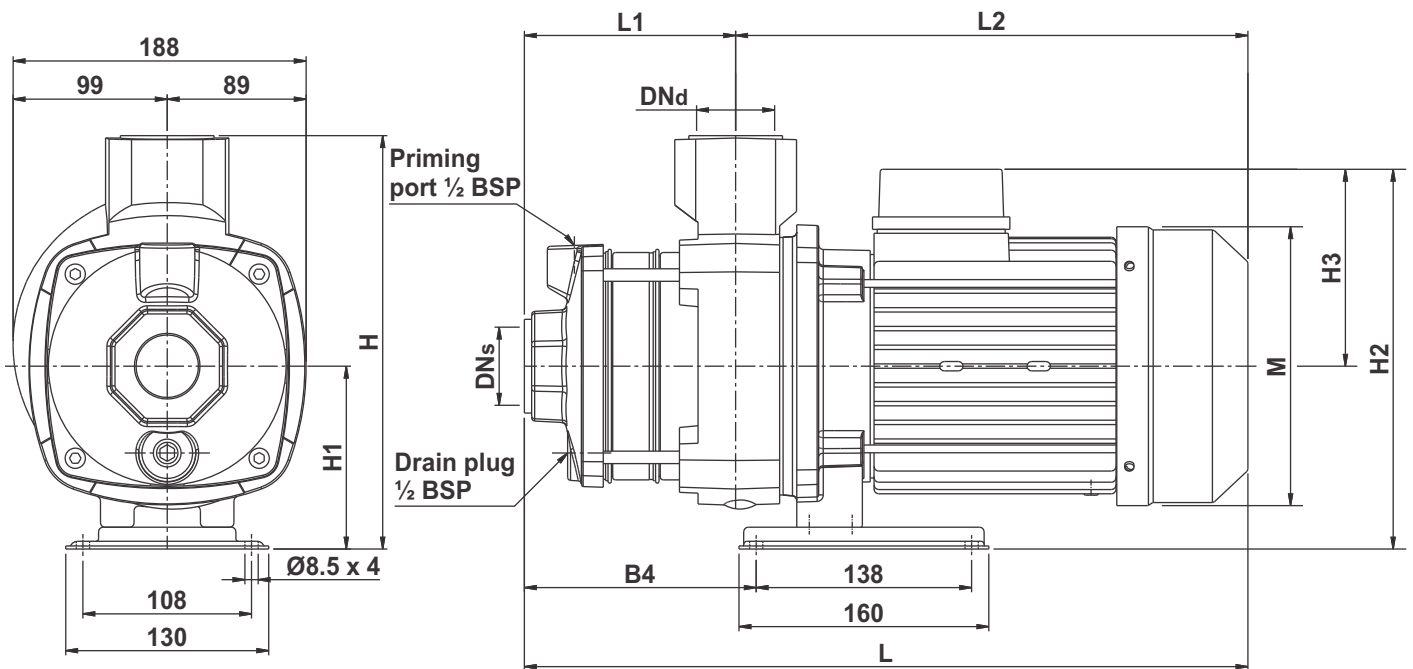
## Horizontal multistage end-suction pumps

## MH, MHI, MHN 15

### Performance chart

Pump type	kW	HP	Voltage [V]		Q l/min m <sup>3</sup> /h	n = 2900 rpm					
			Single phase	Three phase		113.3	166.7	216.7	250.0	300.0	333.3
						8.0	10.0	13.0	15.0	18.0	20.0
MH, MHI, MHN 15-10	1.10	2.00	230	400	H mts.	16.0	15.5	15.0	14.0	12.0	10.0
MH, MHI, MHN 15-20	2.20	3.00	230	400		33.0	32.0	30.0	28.5	26.0	23.5
MH, MHI, MHN 15-30	4.00	5.50	-	400		49.0	47.5	45.5	43.0	39.0	36.0
MH, MHI, MHN 15-40	5.50	7.50	-	400		65.0	64.0	61.0	57.5	52.0	47.5

### Dimensional sketches



### Dimensions & weights of MH, MHI, MHN pump

Pump type	Frame size	DNs BSP	DNd BSP	Dimensions [mm]									Net weight [kg]	Gross weight [kg]	Gross volume [m <sup>3</sup> ]
				H	H1	H2	H3	B4	L	L1	L2	M			
MH, MHI, MHN 15-10	90	2"	2"	261	116	242	126	84	399	71	328	179	26.6	29.0	0.101
MH, MHI, MHN 15-20	90	2"	2"	261	116	242	126	114	429	101	328	179	29.6	35.5	0.108
MH, MHI, MHN 15-30	112	2"	2"	271	125	274	195	145	539	128	412	219	46.1	56.0	0.160
MH, MHI, MHN 15-40	132	2"	2"	291	145	325	180	175	654	158	496	262	63.2	95.0	0.232

# Performance curves

Horizontal multistage end-suction pumps

## MH, MHI, MHN 15

