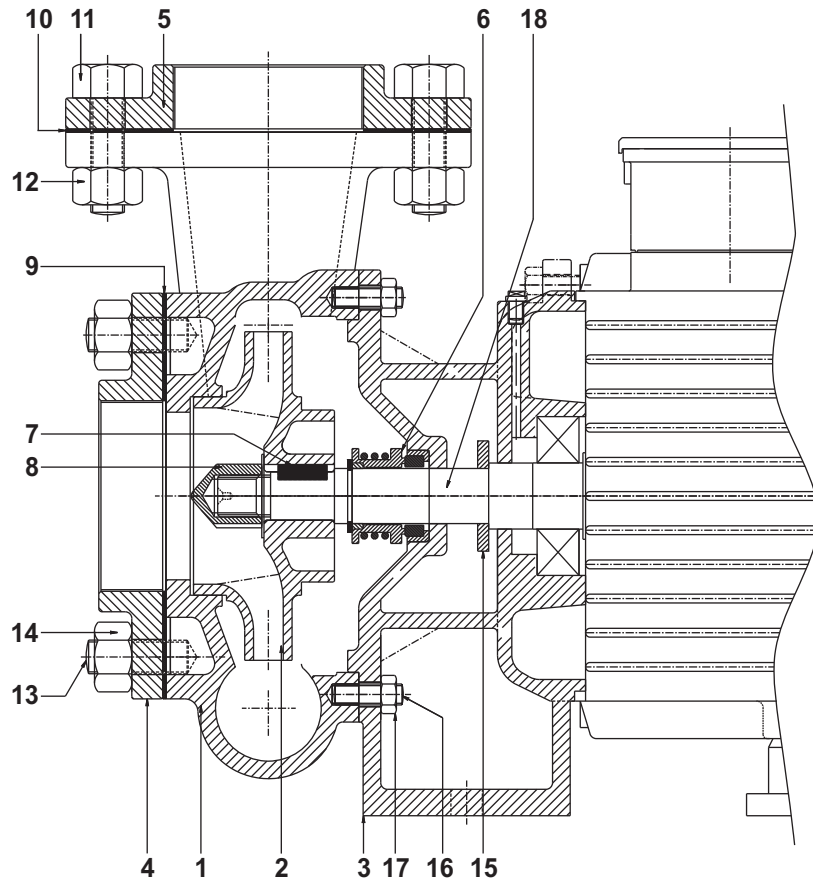


Construction

End-suction centrifugal monoblock pumps

LBI

Sectional drawing



Materials

| Pos. | Component | Material |
|------|----------------------------------|--------------------|
| 1 | Volute | Cast iron |
| 2 | Impeller | Cast iron |
| 3 | Adaptor | Cast iron |
| 4 | Suction flange | Cast iron |
| 5 | Delivery flange | Cast iron |
| 6 | Mechanical shaft seal | Carbon/Ceramic/NBR |
| 7 | Key | Carbon steel |
| 8 | Impeller nut | Brass |
| 9 | Flange rubber packing (suction) | Rubber |
| 10 | Flange rubber packing (delivery) | Rubber |
| 11 | Hex bolt | Carbon steel |
| 12 | Hex nut | Carbon steel |
| 13 | Stud | Carbon steel |
| 14 | Hex nut | Carbon steel |
| 15 | Water thrower | Rubber |
| 16 | Stud | Carbon steel |
| 17 | Hex nut | Carbon steel |
| 18 | Shaft | Carbon steel* |

Note: For Bronze impeller please add a subscript "B" to pump type.

For example: LBI 101 for Cast iron impeller and

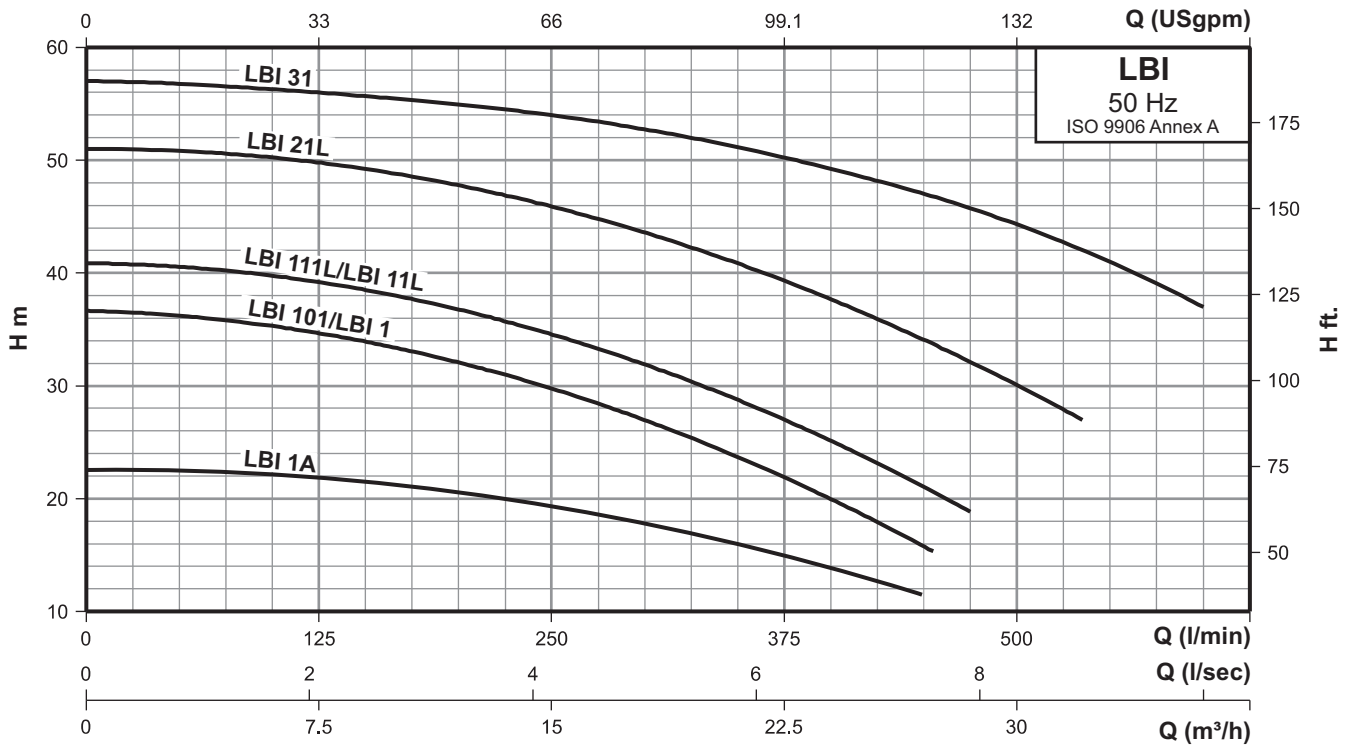
LBI 101B for Bronze impeller.

* Stainless steel AISI 410 shaft is available on request.

Performance curves/Technical data

End-suction centrifugal monoblock pumps

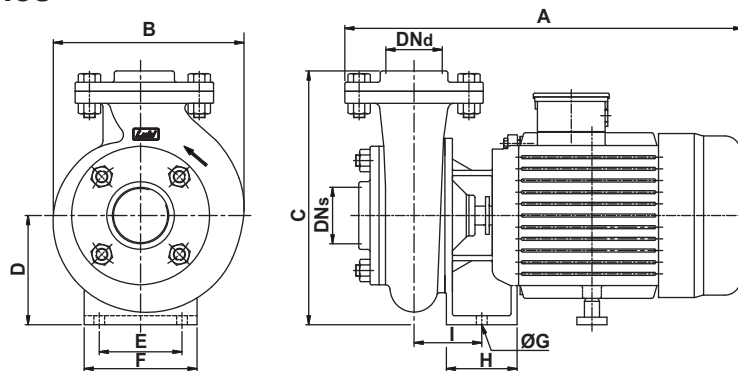
LBI 1A, 101, 1, 111L, 11L, 21L, 31



Performance data at n = 2900 rpm

| Model | | Power | | Q m³/h | 15 | 21 | 24 | 27 | 33 | 36 |
|--------------|-------------|-------|------|-----------|-----|-----|-----|-----|-----|-----|
| Single-phase | Three-phase | [kW] | [HP] | Q l/min | 250 | 350 | 400 | 450 | 550 | 600 |
| - | LBI 1A | 1.50 | 2.00 | H mts. | 19 | 16 | 14 | - | - | - |
| LBI 101 | LBI 1 | 2.20 | 3.00 | | 30 | 24 | 20 | 16 | - | - |
| LBI 111L | LBI 11L | 3.70 | 5.00 | | 35 | 29 | 25 | 21 | - | - |
| - | LBI 21L | 5.50 | 7.50 | | 46 | 41 | 38 | 34 | 26 | - |
| - | LBI 31 | 7.50 | 10.0 | | 54 | 51 | 49 | 47 | 41 | 37 |

Dimensional sketches



Dimensions & weights

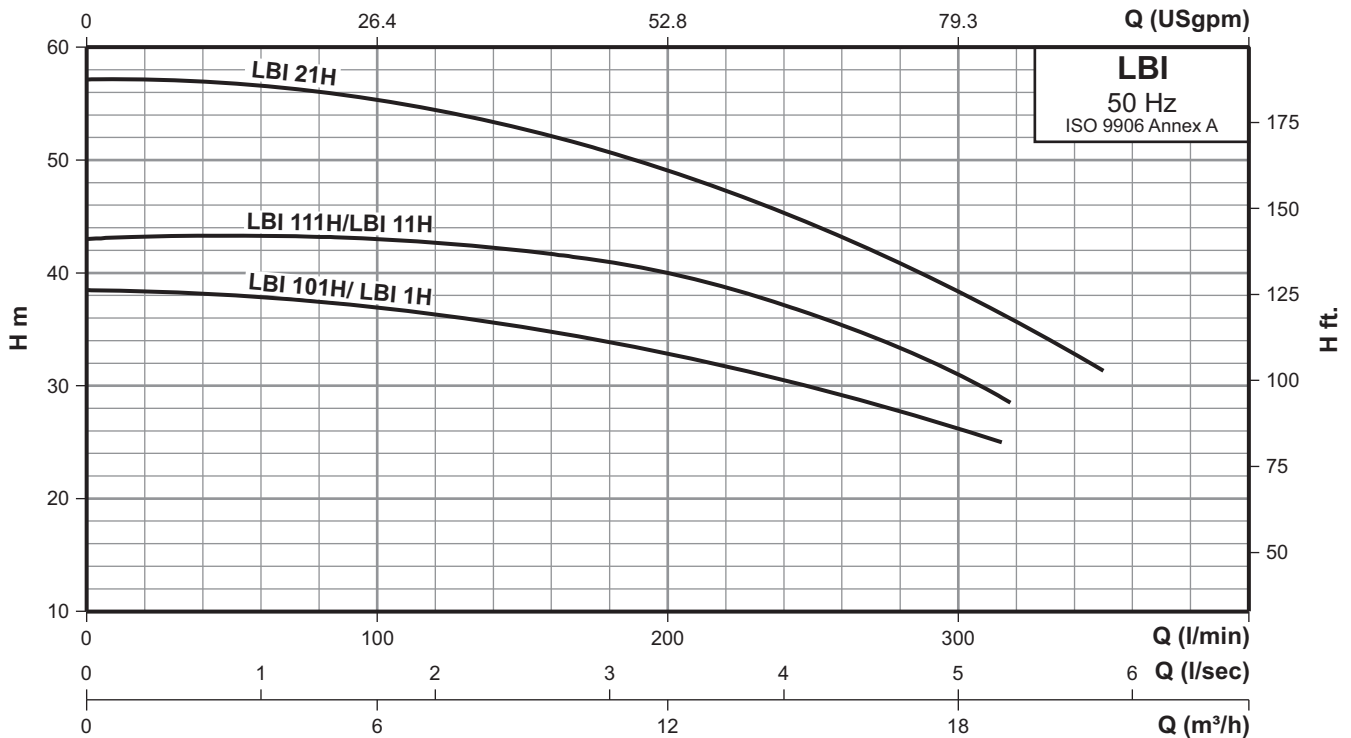
| Model | | Power | | DNs | DNd | Dimensions [mm] | | | | | | | | | Gross weight [kg] | Gross volume [m³] |
|--------------|-------------|-------|------|-----|-----|-----------------|-----|-----|-----|-----|-----|----|-----|-----|-------------------|-------------------|
| Single-phase | Three-phase | [kW] | [HP] | | | A | B | C | D | E | F | ØG | H | I | | |
| - | LBI 1A | 1.50 | 2.00 | 2" | 2" | 430 | 250 | 197 | 116 | 160 | 195 | 10 | - | 130 | 62.0 | 0.140 |
| LBI 101 | - | 2.20 | 3.00 | 2" | 1½" | 570 | 228 | 328 | 145 | 110 | 150 | 14 | 94 | 83 | 85.0 | 0.162 |
| - | LBI 1 | 2.20 | 3.00 | 2" | 1½" | 460 | 228 | 318 | 135 | 110 | 150 | 14 | 82 | 79 | 77.0 | 0.162 |
| LBI 111L | - | 3.70 | 5.00 | 2" | 1½" | 570 | 228 | 328 | 145 | 110 | 150 | 14 | 94 | 83 | 90.0 | 0.162 |
| - | LBI 11L | 3.70 | 5.00 | 2" | 1½" | 495 | 228 | 328 | 145 | 110 | 150 | 14 | 94 | 83 | 88.0 | 0.162 |
| - | LBI 21L | 5.50 | 7.50 | 2" | 1½" | 540 | 289 | 375 | 160 | 146 | 200 | 14 | 101 | 91 | 116.0 | 0.209 |
| - | LBI 31 | 7.50 | 10.0 | 2" | 1½" | 578 | 289 | 375 | 160 | 146 | 200 | 14 | 101 | 91 | 120.0 | 0.209 |

Note: All dimensions in mm unless otherwise noted.

Performance curves/Technical data

End-suction centrifugal monoblock pumps

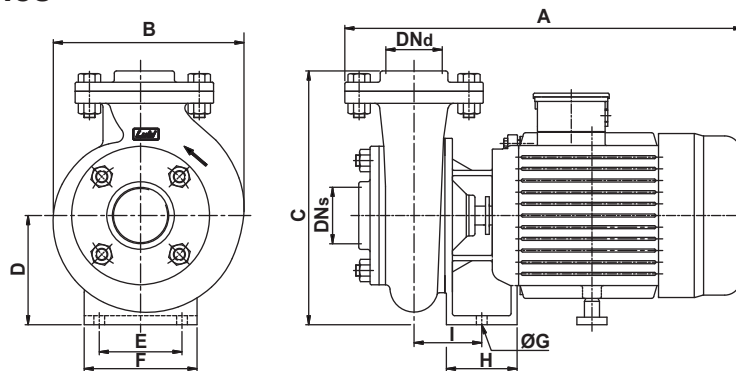
LBI 101H, 1H,
111H, 11H, 21H



Performance data at n = 2900 rpm

| Model | | Power | | Q m³/h | 6 | 9 | 12 | 15 | 18 | 21 |
|--------------|-------------|-------|------|-----------|-----|-----|-----|-----|-----|-----|
| Single-phase | Three-phase | [kW] | [HP] | Q l/min | 100 | 150 | 200 | 250 | 300 | 350 |
| LBI 101H | LBI 1H | 2.20 | 3.00 | H mts. | 37 | 35 | 33 | 30 | 26 | - |
| LBI 111H | LBI 11H | 3.70 | 5.00 | | 43 | 42 | 40 | 37 | 31 | - |
| - | LBI 21H | 5.50 | 7.50 | | 55 | 53 | 49 | 44 | 38 | 31 |

Dimensional sketches



Dimensions & weights

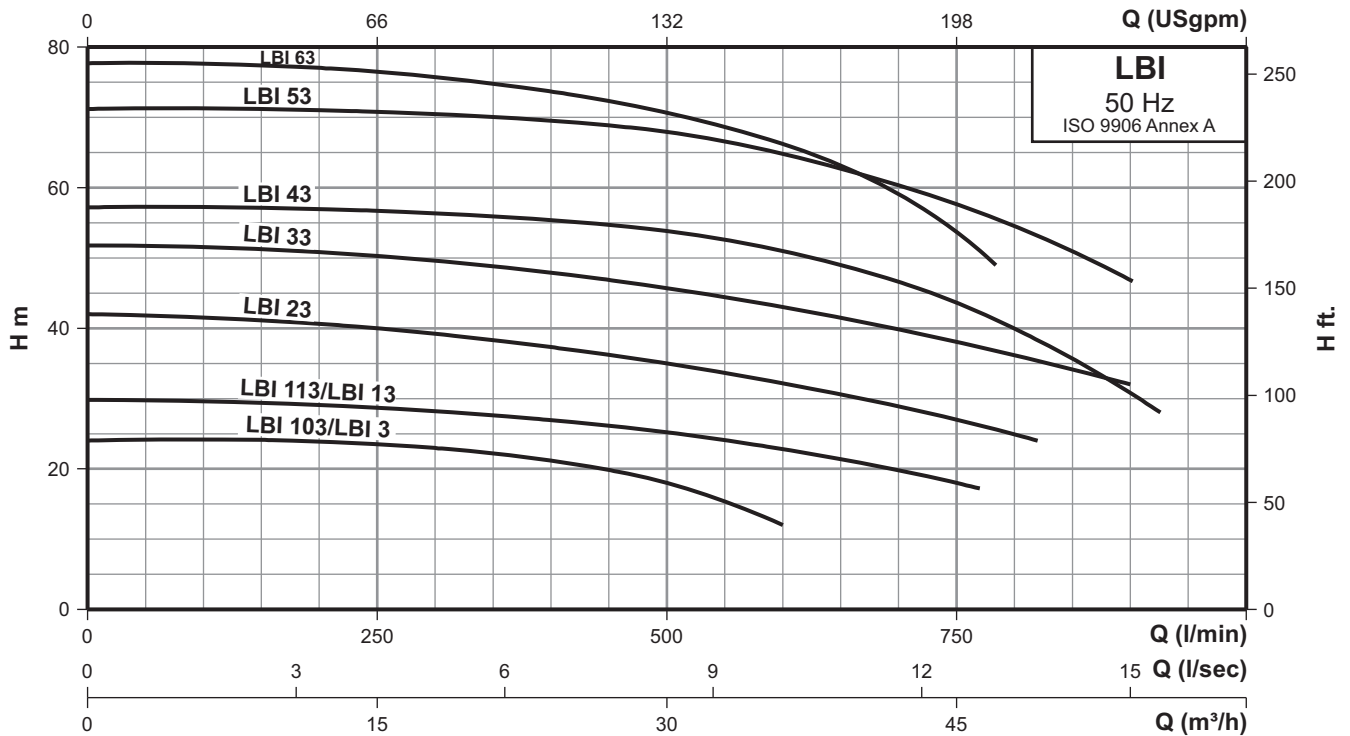
| Model | | Power | | DNs | DNd | Dimensions [mm] | | | | | | | | | | Gross weight [kg] | Gross volume [m³] |
|--------------|-------------|-------|------|-----|-----|-----------------|-----|-----|-----|-----|-----|----|-----|----|-------|-------------------|-------------------|
| Single-phase | Three-phase | [kW] | [HP] | | | A | B | C | D | E | F | ØG | H | I | | | |
| LBI 101H | - | 2.20 | 3.00 | 2" | 1½" | 574 | 245 | 343 | 145 | 145 | 190 | 14 | 94 | 87 | 86.0 | 0.162 | |
| - | LBI 1H | 2.20 | 3.00 | 2" | 1½" | 464 | 245 | 343 | 145 | 145 | 190 | 14 | 85 | 87 | 78.0 | 0.162 | |
| LBI 111H | - | 3.70 | 5.00 | 2" | 1½" | 574 | 245 | 343 | 145 | 145 | 190 | 14 | 94 | 87 | 91.0 | 0.162 | |
| - | LBI 11H | 3.70 | 5.00 | 2" | 1½" | 499 | 245 | 343 | 145 | 145 | 190 | 14 | 94 | 87 | 89.0 | 0.162 | |
| - | LBI 21H | 5.50 | 7.50 | 2" | 1½" | 540 | 289 | 375 | 160 | 146 | 200 | 14 | 101 | 91 | 116.0 | 0.209 | |

Note: All dimensions in mm unless otherwise noted.

Performance curves/Technical data

End-suction centrifugal monoblock pumps

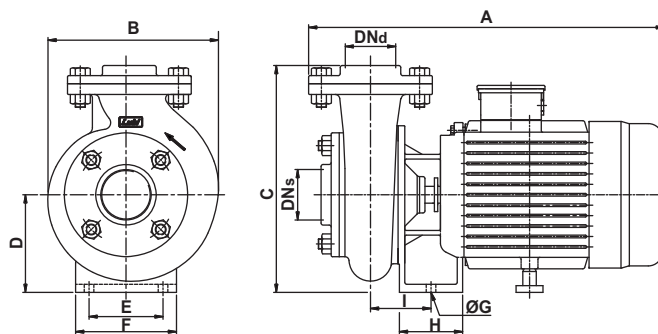
LBI 103, 3, 113, 13,
23, 33, 43, 53, 63



Performance data at n = 2900 rpm

| Model | | Power | | Q m³/h | 15 | 27 | 36 | 42 | 48 | 54 |
|--------------|-------------|-------|------|-----------|------|------|------|------|------|------|
| Single-phase | Three-phase | [kW] | [HP] | Q l/min | 250 | 450 | 600 | 700 | 800 | 900 |
| LBI 103 | LBI 3 | 2.20 | 3.00 | H mts. | 23.5 | 19.8 | 12 | - | - | - |
| LBI 113 | LBI 13 | 3.70 | 5.00 | | 29 | 25 | 23 | 20 | - | - |
| - | LBI 23 | 5.50 | 7.50 | | 40 | 35 | 32 | 29 | 25 | - |
| - | LBI 33 | 7.50 | 10.0 | | 50 | 47 | 43 | 40 | 36 | 32 |
| - | LBI 43 | 9.30 | 12.5 | | 56.8 | 54.8 | 51 | 46.7 | 39.7 | 30.7 |
| - | LBI 53 | 11.0 | 15.0 | | 70.8 | 68.8 | 64.8 | 60.3 | 54.8 | 47 |
| - | LBI 63 | 15.0 | 20.0 | | 76.3 | 72.4 | 66.3 | 59.4 | - | - |

Dimensional sketches



Dimensions & weights

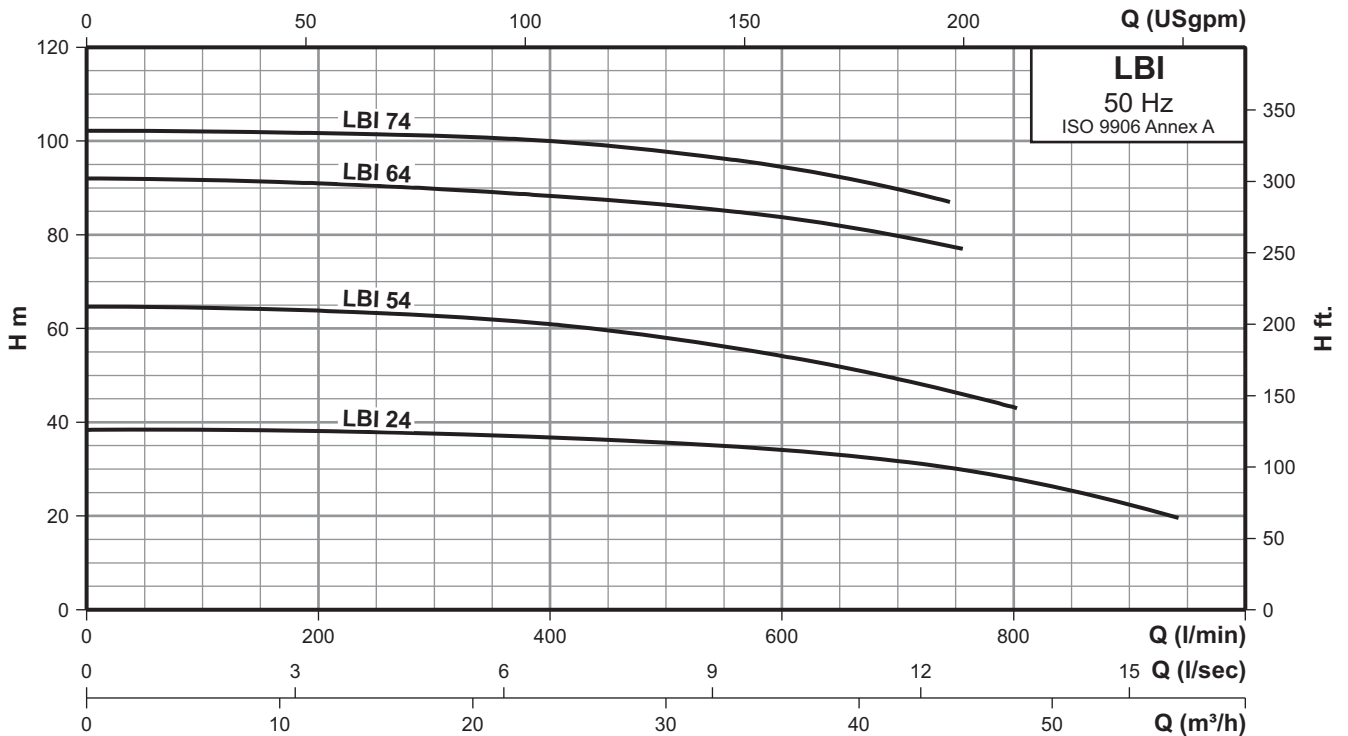
| Model | | Power | | DNs | DNd | Dimensions [mm] | | | | | | | | | | Gross weight [kg] | Gross volume [m³] |
|--------------|-------------|-------|------|-----|-----|-----------------|-----|-----|-----|-----|-----|----|-----|----|-------|-------------------|-------------------|
| Single-phase | Three-phase | [kW] | [HP] | | | A | B | C | D | E | F | ØG | H | I | | | |
| LBI 103 | - | 2.20 | 3.00 | 2½" | 2" | 579 | 234 | 326 | 145 | 110 | 150 | 14 | 94 | 83 | 87.0 | 0.162 | |
| - | LBI 3 | 2.20 | 3.00 | 2½" | 2" | 469 | 234 | 316 | 135 | 110 | 150 | 14 | 85 | 79 | 79.0 | 0.162 | |
| LBI 113 | - | 3.70 | 5.00 | 2½" | 2" | 579 | 234 | 326 | 145 | 110 | 150 | 14 | 94 | 83 | 92.0 | 0.162 | |
| - | LBI 13 | 3.70 | 5.00 | 2½" | 2" | 504 | 234 | 326 | 145 | 110 | 150 | 14 | 94 | 83 | 90.0 | 0.162 | |
| - | LBI 23 | 5.50 | 7.50 | 2½" | 2" | 551 | 278 | 390 | 145 | 146 | 200 | 14 | 101 | 94 | 121.0 | 0.209 | |
| - | LBI 33 | 7.50 | 10.0 | 2½" | 2" | 589 | 278 | 390 | 160 | 146 | 200 | 14 | 101 | 94 | 125.0 | 0.209 | |
| - | LBI 43 | 9.30 | 12.5 | 2½" | 2" | 587 | 302 | 405 | 175 | 146 | 200 | 14 | 101 | 90 | 119.0 | 0.210 | |
| - | LBI 53 | 11.0 | 15.0 | 2½" | 2" | 587 | 302 | 405 | 175 | 146 | 200 | 14 | 101 | 90 | 120.0 | 0.210 | |
| - | LBI 63 | 15.0 | 20.0 | 2½" | 2" | 684 | 302 | 415 | 185 | 155 | 225 | 14 | 118 | 97 | 200.0 | 0.241 | |

Note: All dimensions in mm unless otherwise noted.

Performance curves/Technical data

End-suction centrifugal monoblock pumps

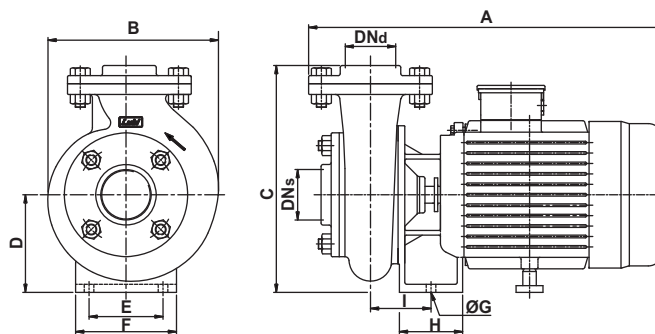
LBI 24, 54, 64, 74



Performance data at n = 2900 rpm

| Model | Power | | Q m³/h | 12 | 24 | 36 | 42 | 48 | 54 |
|-------------|-------|------|-----------|-------|-------|------|------|------|------|
| | [kW] | [HP] | | | | | | | |
| Three-phase | | | Q l/min | 200 | 400 | 600 | 700 | 800 | 900 |
| LBI 24 | 5.50 | 7.50 | H mts. | 38 | 36.4 | 34 | 31.6 | 28 | 22.6 |
| LBI 54 | 11.0 | 15.0 | | 63.7 | 60.8 | 54 | 49.3 | 43.2 | - |
| LBI 64 | 15.0 | 20.0 | | 91 | 88.3 | 84 | 79.6 | - | - |
| LBI 74 | 18.5 | 25.0 | | 101.6 | 100.1 | 94.4 | 89.7 | - | - |

Dimensional sketches



Dimensions & weights

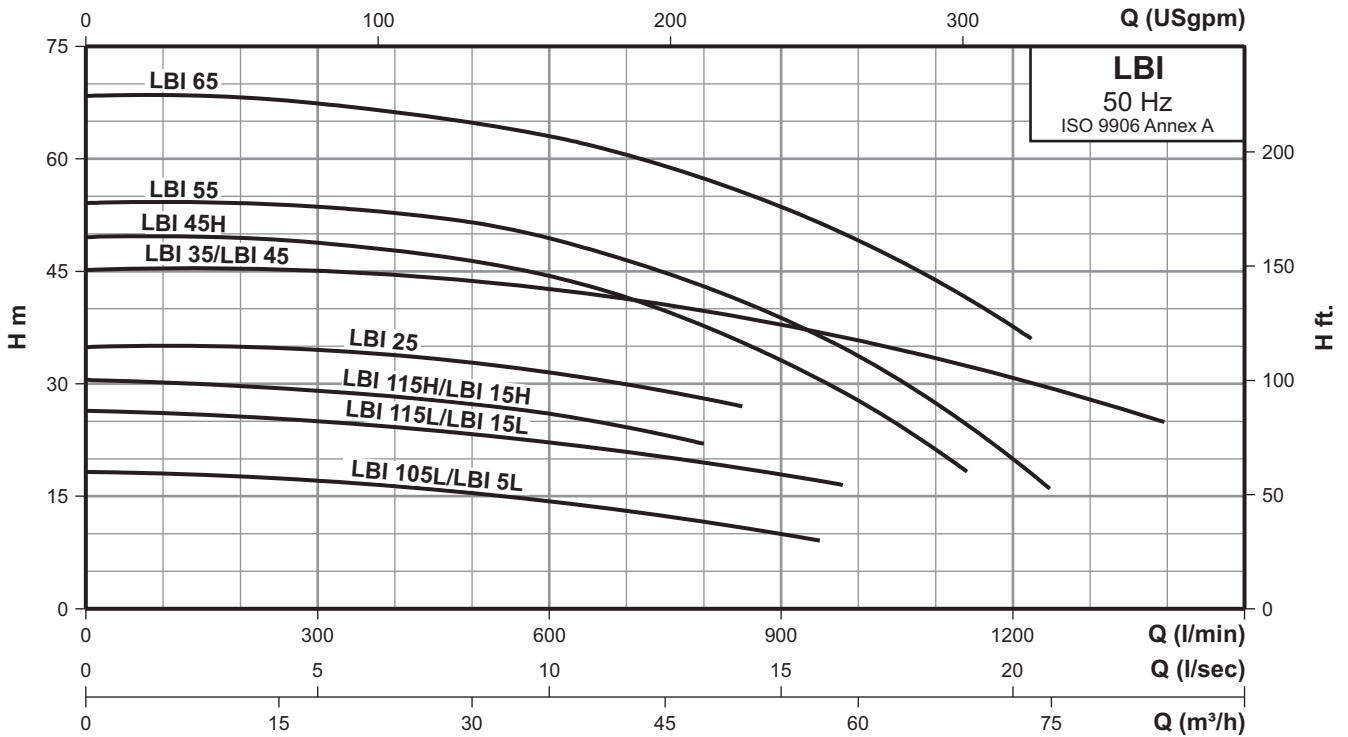
| Model | Power | | DN _s | DN _d | Dimensions [mm] | | | | | | | | | Gross weight [kg] | Gross volume [m³] |
|--------|-------|------|-----------------|-----------------|-----------------|-----|-----|-----|-----|-----|----|-----|-----|-------------------|-------------------|
| | [kW] | [HP] | | | A | B | C | D | E | F | ØG | H | I | | |
| LBI 24 | 5.50 | 7.50 | 2½" | 2½" | 553 | 246 | 370 | 160 | 146 | 200 | 14 | 101 | 90 | 121.0 | 0.209 |
| LBI 54 | 11.0 | 15.0 | 2½" | 2½" | 594 | 333 | 440 | 185 | 205 | 260 | 14 | 101 | 93 | 127.0 | 0.239 |
| LBI 64 | 15.0 | 20.0 | 2½" | 2½" | 692 | 333 | 440 | 185 | 205 | 260 | 14 | 118 | 100 | 208.0 | 0.270 |
| LBI 74 | 18.5 | 25.0 | 2½" | 2½" | 692 | 333 | 440 | 185 | 205 | 260 | 14 | 118 | 100 | 212.0 | 0.270 |

Note: All dimensions in mm unless otherwise noted.

Performance curves/Technical data

End-suction centrifugal monoblock pumps

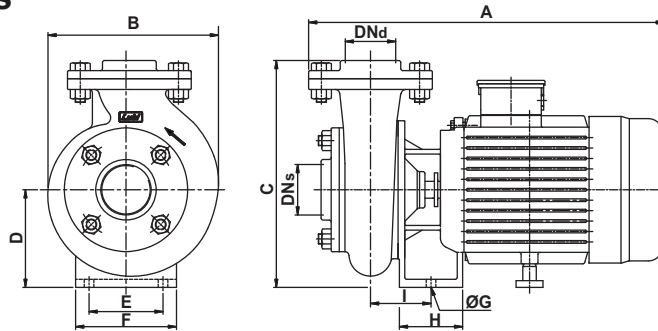
LBI 105L, 5L, 115L, 15L, 115H, 15H, 25, 35, 45, 45H, 55, 65



Performance data at n = 2900 rpm

| Model | | Power | | Q m³/h | 12 | 24 | 36 | 48 | 60 | 72 |
|--------------|-------------|-------|------|-----------|------|------|------|------|------|------|
| Single-phase | Three-phase | [kW] | [HP] | Q l/min | 200 | 400 | 600 | 800 | 1000 | 1200 |
| LBI 105L | LBI 5L | 2.20 | 3.00 | H mts. | 18 | 16 | 14 | 12 | - | - |
| LBI 115L | LBI 15L | 3.70 | 5.00 | | 26 | 24 | 22 | 20 | - | - |
| LBI 115H | LBI 15H | 3.70 | 5.00 | | 30 | 29 | 26 | 22 | - | - |
| - | LBI 25 | 5.50 | 7.50 | | 35 | 34 | 32 | 28 | - | - |
| - | LBI 35 | 7.50 | 10.0 | | 45.4 | 44.5 | 42.2 | 39.7 | 36.2 | 30.8 |
| - | LBI 45 | 9.30 | 12.5 | | 45.4 | 44.5 | 42.2 | 39.7 | 36.2 | 30.8 |
| - | LBI 45H | 9.30 | 12.5 | | 49.3 | 48 | 44.5 | 37.5 | 28 | - |
| - | LBI 55 | 11.0 | 15.0 | | 53.8 | 52.8 | 49.6 | 42.9 | 33.3 | 20 |
| - | LBI 65 | 15.0 | 20.0 | | 68.1 | 66.2 | 63 | 57.3 | 49 | 37.5 |

Dimensional sketches



Dimensions & weights

| Model | | Power | | DNs | DNd | Dimensions [mm] | | | | | | | | | | Gross weight [kg] | Gross volume [m³] |
|--------------|-------------|-------|------|-----|-----|-----------------|-----|-----|-----|-----|-----|----|-----|----|-------|-------------------|-------------------|
| Single-phase | Three-phase | [kW] | [HP] | | | A | B | C | D | E | F | ØG | H | I | | | |
| LBI 105L | - | 2.20 | 3.00 | 3" | 2½" | 602 | 254 | 340 | 145 | 110 | 150 | 14 | 94 | 90 | 90.0 | 0.162 | |
| - | LBI 5L | 2.20 | 3.00 | 3" | 2½" | 492 | 254 | 330 | 135 | 110 | 150 | 14 | 84 | 86 | 85.0 | 0.162 | |
| LBI 115L | - | 3.70 | 5.00 | 3" | 2½" | 602 | 254 | 340 | 145 | 110 | 150 | 14 | 94 | 90 | 95.0 | 0.162 | |
| - | LBI 15L | 3.70 | 5.00 | 3" | 2½" | 527 | 254 | 340 | 145 | 110 | 150 | 14 | 94 | 90 | 93.0 | 0.162 | |
| LBI 115H | - | 3.70 | 5.00 | 3" | 2½" | 588 | 239 | 330 | 145 | 110 | 150 | 14 | 94 | 85 | 95.0 | 0.162 | |
| - | LBI 15H | 3.70 | 5.00 | 3" | 2½" | 513 | 239 | 330 | 145 | 110 | 150 | 14 | 94 | 85 | 93.0 | 0.162 | |
| - | LBI 25 | 5.50 | 7.50 | 3" | 2½" | 556 | 269 | 387 | 160 | 146 | 200 | 14 | 101 | 88 | 121.0 | 0.209 | |
| - | LBI 35 | 7.50 | 10.0 | 3" | 2½" | 594 | 269 | 387 | 160 | 146 | 200 | 14 | 101 | 91 | 125.0 | 0.209 | |
| - | LBI 45 | 9.30 | 12.5 | 3" | 2½" | 556 | 269 | 387 | 160 | 146 | 200 | 14 | 101 | 91 | 125.0 | 0.209 | |
| - | LBI 45H | 9.30 | 12.5 | 3" | 2½" | 593 | 311 | 420 | 175 | 146 | 200 | 14 | 101 | 91 | 119.0 | 0.221 | |
| - | LBI 55 | 11.0 | 15.0 | 3" | 2½" | 593 | 311 | 420 | 175 | 146 | 200 | 14 | 101 | 91 | 120.0 | 0.221 | |
| - | LBI 65 | 15.0 | 20.0 | 3" | 2½" | 690 | 311 | 430 | 185 | 155 | 225 | 14 | 118 | 97 | 200.0 | 0.254 | |

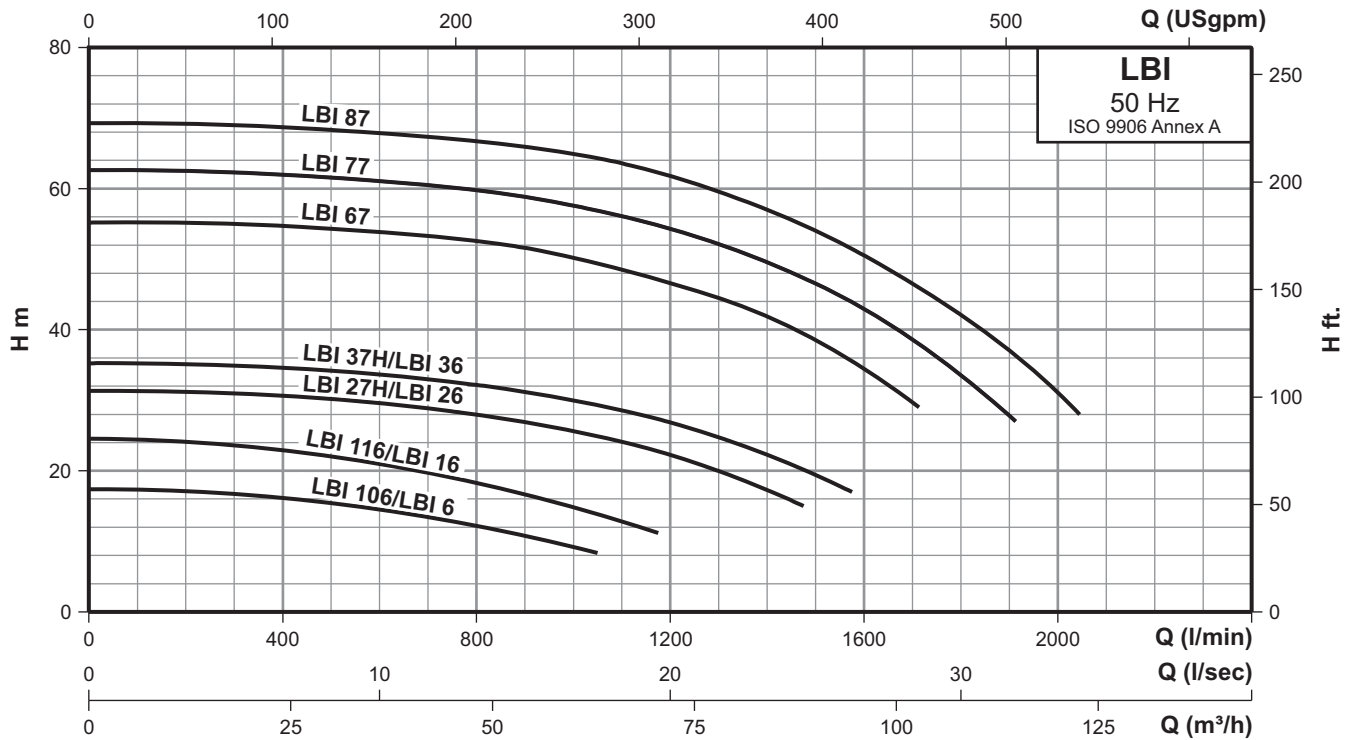
Note: All dimensions in mm unless otherwise noted.



Performance curves/Technical data

End-suction centrifugal monoblock pumps

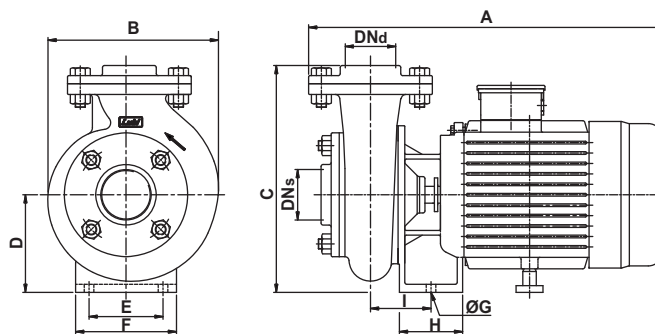
LBI 106, 6, 116, 16, 27H, 26, 37H, 36, 67, 77, 87



Performance data at n = 2900 rpm

| Model | | Power | | Q m³/h | 15 | 30 | 45 | 60 | 75 | 90 | 120 |
|--------------|----------------|-------|------|-----------|------|------|------|------|------|------|------|
| Single-phase | Three-phase | [kW] | [HP] | Q l/min | 250 | 500 | 750 | 1000 | 1250 | 1500 | 2000 |
| LBI 106 | LBI 6 | 2.20 | 3.00 | H mts. | 17 | 15.5 | 13 | 9 | - | - | - |
| LBI 116 | LBI 16 | 3.70 | 5.00 | | 24 | 22 | 19 | 15 | - | - | - |
| - | LBI 27H/LBI 26 | 5.50 | 7.50 | | 31 | 30 | 28.5 | 25.5 | 21 | - | - |
| - | LBI 37H/LBI 36 | 7.50 | 10.0 | | 35 | 34 | 32.5 | 30 | 26 | 19 | - |
| - | LBI 67 | 15.0 | 20.0 | | 55 | 54.5 | 52.8 | 50.2 | 45.5 | 38.6 | - |
| - | LBI 77 | 18.5 | 25.0 | | 62.5 | 61.5 | 60.2 | 57.6 | 53 | 46.7 | - |
| - | LBI 87 | 22.0 | 30.0 | | 69 | 68 | 67.2 | 65 | 60.8 | 54.1 | 31 |

Dimensional sketches



Dimensions & weights

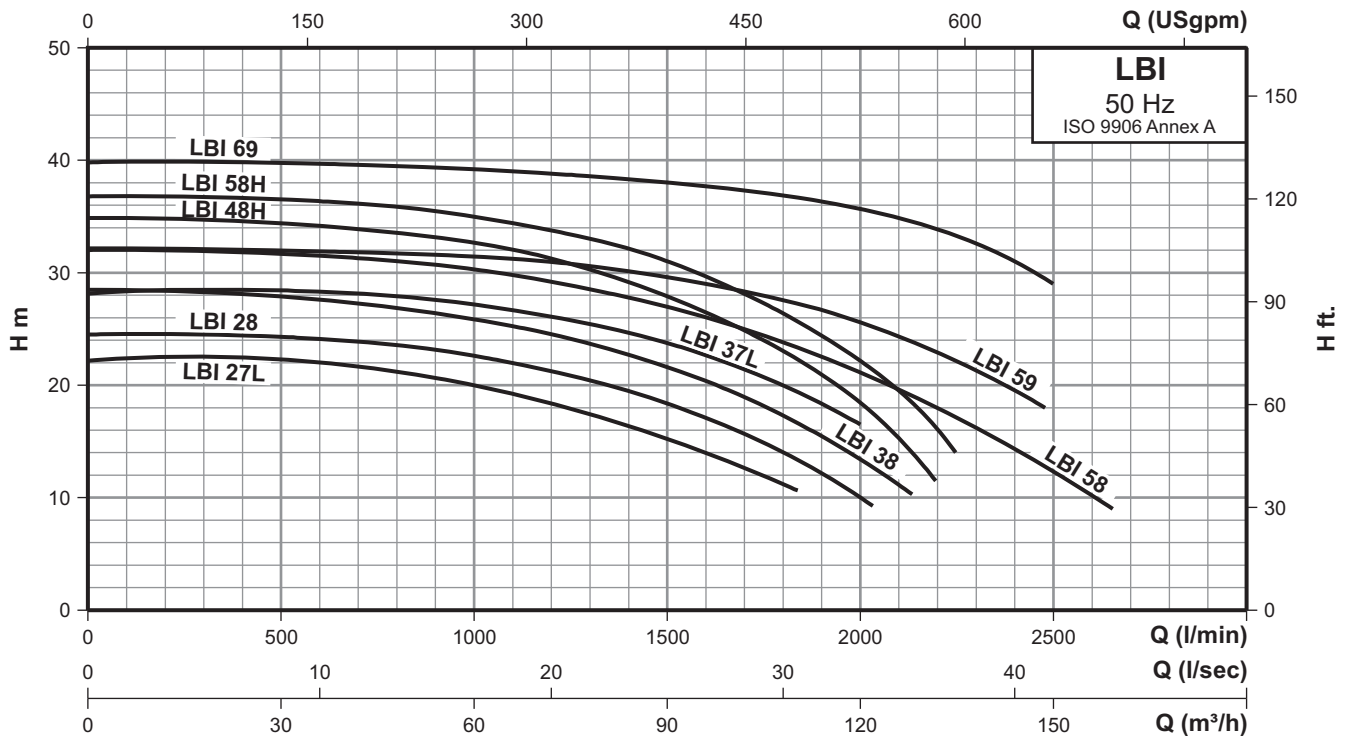
| Model | | Power | | DNs | DNd | Dimensions [mm] | | | | | | | | | | Gross weight [kg] | Gross volume [m³] |
|--------------|-------------|-------|------|-----|-----|-----------------|-----|-----|-----|-----|-----|----|-----|-----|-------|-------------------|-------------------|
| Single-phase | Three-phase | [kW] | [HP] | | | A | B | C | D | E | F | ØG | H | I | | | |
| LBI 106 | - | 2.20 | 3.00 | 3" | 3" | 602 | 254 | 340 | 145 | 110 | 150 | 14 | 94 | 90 | 91.0 | 0.162 | |
| - | LBI 6 | 2.20 | 3.00 | 3" | 3" | 492 | 254 | 330 | 135 | 110 | 150 | 14 | 85 | 86 | 86.0 | 0.162 | |
| LBI 116 | - | 3.70 | 5.00 | 3" | 3" | 602 | 254 | 340 | 145 | 110 | 150 | 14 | 94 | 90 | 96.0 | 0.162 | |
| - | LBI 16 | 3.70 | 5.00 | 3" | 3" | 527 | 254 | 340 | 145 | 110 | 150 | 14 | 94 | 90 | 94.0 | 0.162 | |
| - | LBI 27H | 5.50 | 7.50 | 4" | 3" | 568 | 278 | 391 | 160 | 146 | 200 | 14 | 101 | 95 | 124.0 | 0.209 | |
| - | LBI 26 | 5.50 | 7.50 | 3" | 3" | 568 | 278 | 391 | 160 | 146 | 200 | 14 | 101 | 95 | 124.0 | 0.209 | |
| - | LBI 37H | 7.50 | 10.0 | 4" | 3" | 606 | 278 | 391 | 160 | 146 | 200 | 14 | 101 | 95 | 128.0 | 0.209 | |
| - | LBI 36 | 7.50 | 10.0 | 3" | 3" | 606 | 278 | 391 | 160 | 146 | 200 | 14 | 101 | 95 | 128.0 | 0.209 | |
| - | LBI 67 | 15.0 | 20.0 | 4" | 3" | 704 | 313 | 447 | 185 | 155 | 225 | 14 | 118 | 100 | 208.0 | 0.266 | |
| - | LBI 77 | 18.5 | 25.0 | 4" | 3" | 704 | 313 | 447 | 185 | 155 | 225 | 14 | 118 | 100 | 212.0 | 0.266 | |
| - | LBI 87 | 22.0 | 30.0 | 4" | 3" | 704 | 313 | 447 | 185 | 155 | 225 | 14 | 118 | 100 | 215.0 | 0.266 | |

Note: All dimensions in mm unless otherwise noted.

Performance curves/Technical data

End-suction centrifugal monoblock pumps

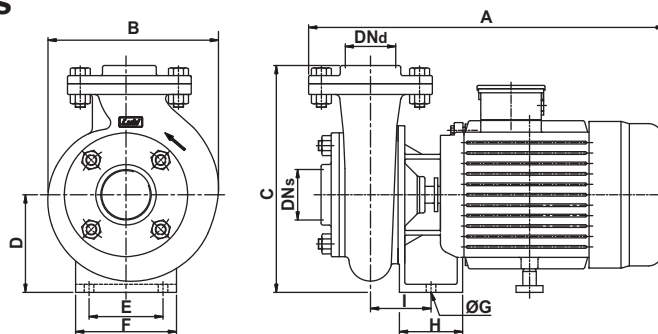
LBI 27L, 28, 37L, 38, 48H, 58, 58H, 59, 69



Performance data at n = 2900 rpm

| Model | Power | | Q m³/h Q l/min | 15 | 30 | 60 | 90 | 120 | 150 |
|-------------|-------|------|-------------------|--------|------|------|------|------|------|
| | [kW] | [HP] | | H mts. | 250 | 500 | 1000 | 1500 | 2000 |
| Three-phase | | | | | | | | | |
| LBI 27L | 5.50 | 7.50 | | 22.5 | 22.3 | 20.0 | 15.2 | - | - |
| LBI 28 | 5.50 | 7.50 | | 24.5 | 24.2 | 22.6 | 18.2 | 10 | - |
| LBI 37L | 7.50 | 10.0 | | 28.3 | 28.3 | 27.2 | 23.9 | 16.5 | - |
| LBI 38 | 7.50 | 10.0 | | 28.4 | 27.8 | 25.8 | 21.6 | 13.3 | - |
| LBI 48H | 9.30 | 12.5 | | 34.8 | 34.5 | 32.7 | 27.8 | 18.5 | - |
| LBI 58 | 11.0 | 15.0 | | 32 | 31.5 | 29.6 | 26.8 | 21.3 | 12.5 |
| LBI 58H | 11.0 | 15.0 | | 36.8 | 36.4 | 35 | 31 | 22.3 | - |
| LBI 59 | 11.0 | 15.0 | | 32.1 | 32 | 31.4 | 29.6 | 25.7 | - |
| LBI 69 | 15.0 | 20.0 | | 39.8 | 39.7 | 39.1 | 38 | 35.7 | 29 |

Dimensional sketches



Dimensions & weights

| Model | Power | | DN _s | DN _d | Dimensions [mm] | | | | | | | | | Gross weight [kg] | Gross volume [m³] |
|-------------|-------|------|-----------------|-----------------|-----------------|-----|-----|-----|-----|-----|----|-----|-----|-------------------|-------------------|
| | [kW] | [HP] | | | A | B | C | D | E | F | ØG | H | I | | |
| Three-phase | | | | | | | | | | | | | | | |
| LBI 27L | 5.50 | 7.50 | 4" | 3" | 568 | 278 | 391 | 160 | 146 | 200 | 14 | 101 | 95 | 124.0 | 0.209 |
| LBI 28 | 5.50 | 7.50 | 4" | 4" | 630 | 273 | 396 | 160 | 146 | 200 | 14 | 101 | 103 | 127.0 | 0.209 |
| LBI 37L | 7.50 | 10.0 | 4" | 3" | 606 | 278 | 391 | 160 | 146 | 200 | 14 | 101 | 95 | 128.0 | 0.209 |
| LBI 38 | 7.50 | 10.0 | 4" | 4" | 606 | 273 | 396 | 160 | 146 | 200 | 14 | 101 | 103 | 131.0 | 0.209 |
| LBI 48H | 9.30 | 12.5 | 4" | 4" | 629 | 281 | 428 | 175 | 146 | 200 | 14 | 101 | 102 | 126.0 | 0.219 |
| LBI 58 | 11.0 | 15.0 | 4" | 4" | 631 | 330 | 425 | 175 | 146 | 200 | 14 | 101 | 100 | 150.0 | 0.250 |
| LBI 58H | 11.0 | 15.0 | 4" | 4" | 629 | 281 | 428 | 175 | 146 | 200 | 14 | 101 | 102 | 128.0 | 0.219 |
| LBI 59 | 11.0 | 15.0 | 5" | 5" | 650 | 298 | 463 | 175 | 146 | 225 | 14 | 101 | 103 | 131.0 | 0.247 |
| LBI 69 | 15.0 | 20.0 | 5" | 5" | 750 | 298 | 473 | 185 | 155 | 225 | 14 | 118 | 109 | 211.0 | 0.281 |

Note: All dimensions in mm unless otherwise noted.